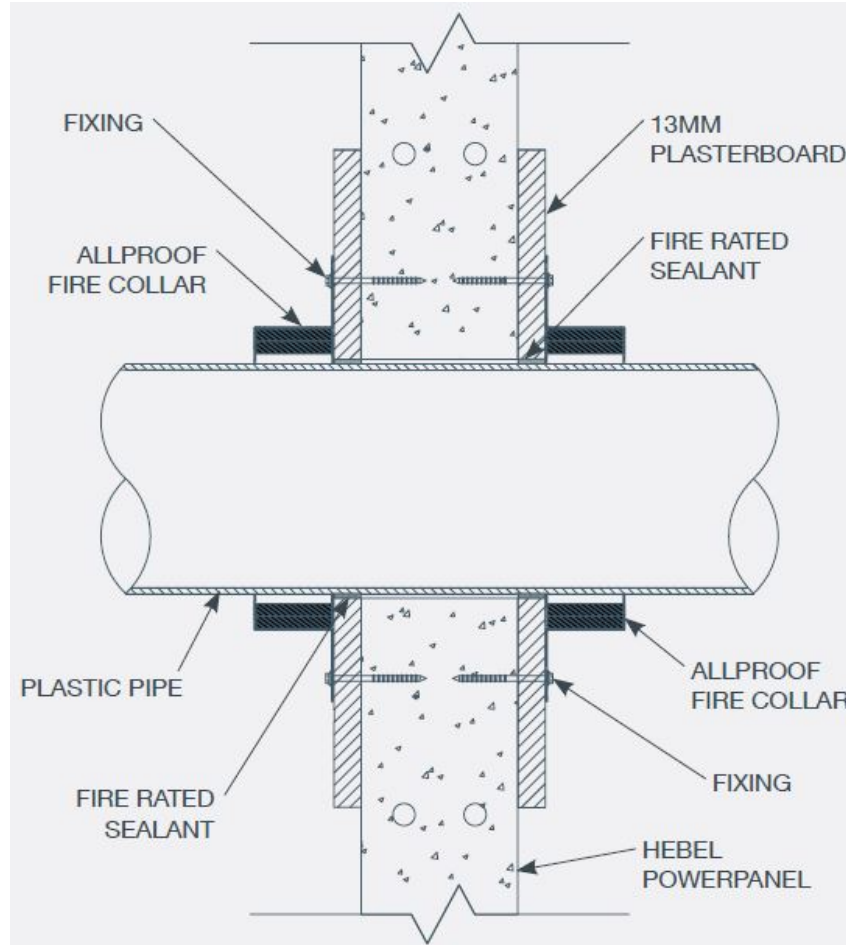


Allproof Low Profile Fire Collar Plastic Pipe through a Hebel Panel Wall with Plasterboard Lining or Patch See pg 2 for details

INSTALLATION INSTRUCTIONS:

1. Ensure substrate around the service is flat and free from obstructions.
2. Seal the annular space between the wall and the pipe with Allproof MAS310 fire sealant to a depth of 13mm.
3. Open pipe collar and position around the service.
4. Slide tab through slot in pipe collar and fold back 180° to secure.
5. Secure collar using 14-10 x 65mm hex head type 17mm screws.



System/FPA Register ID# FC752

Products	Allproof Low-Profile Fire Collar
Application	Fire stopping of plastic pipe in Hebel panel wall with plasterboard lining
Construction	Minimum wall thickness 75mm

Fire Classification:

See page 2 for details of pipe types, sizes and FRR ratings for:

PVC up to 100mm
 PEX up to 25mm
 PEX/AL/PEX 20mm



BRANZ Appraised
 Appraisal No.1088 [2019]

As a part of our policy of on-going product development and testing, we reserve the right to modify, alter or change product specifications without giving notice. All information contained in this document is given in good faith and is provided for guidance only. Any drawings provided are for illustrative purposes only. As Firestop Centre has no control over the methods or competence of installation and of prevailing site conditions, no warranties, expressed or implied, is intended to be given as to the actual performance of the product mentioned or referred to herein and no liability whatsoever will be accepted for any loss, damage or injury arising from the use of the information given.

ALLPROOF

INDUSTRIES

Allproof Industries Ltd
 17 Bay Park Place
 Beach Haven, AK 0626

Sheet size: A4	Drawn date & no: 28/7/23
Scale: NTS	Drawn by: G.P

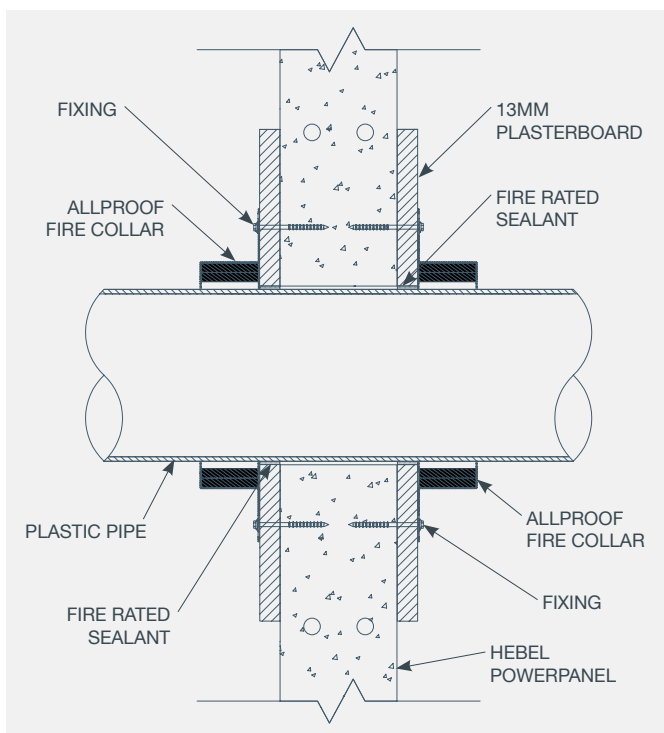
HEBEL POWERPANEL WITH PLASTERBOARD PATCH TEST RESULTS:

NOMINAL PIPE SIZE (MM)	PANEL DEPTH (MM)	PLASTERBOARD (MM)	NOMINAL PIPE WALL THICKNESS (MM)	PRODUCT CODE	PENETRATION HOLE SIZE (MM)	WALL FRL	FTC#
PVC PLASTIC PIPE							
40	75	13	2.0	ALLFC40	47	-/120/120	180434.4
50	75	13	2.2	ALLFC50	57	-/120/120	180434.4
65	75	13	2.7	ALLFC65	72	-/120/120	180434.4
80	75	13	2.9	ALLFC80	87	-/120/120	180434.4
100	75	13	3.2	ALLFC100	112	-/120/120	180434.4
PEXa PIPE							
16	75	13	2.6	ALLFC25	19	-/120/120	180434.4
20	75	13	2.9	ALLFC25	25	-/120/120	180434.4
25	75	13	3.7	ALLFC25	28	-/120/120	180434.4
OTHER PLASTIC PIPE							
20 PEX/AL/PEX	75	13	3.1	ALLFC25	25	-/120/120	180434.4

Fixing: 14-10 x 65mm hex head type 17 screws.

Note: Plasterboard patch to be a minimum 100mm length in each direction from the edge of the collar.

HEBEL POWERPANEL WITH PLASTERBOARD PATCH INSTALLATION DETAILS:



HEBEL POWERPANEL WITH PLASTERBOARD PATCH FRONT DETAIL:

